

BULLET NEW



Suspended luminaire. Top quality COB LED module with colour consistency MacAdams ≤ 3 , extensive portfolio of lumen ranges, CCTs and spectra. Variety of drivers: standard EVG on/off, DALI and wireless controlled as MasterConnect or Casambi on request. Remote, wireless occupancy & daylight sensor available to allow significant energy savings and wireless connectivity. Mounting on any type of ceiling. Body is made of aluminium and steel. Standard colour RAL 9003S, any other colour from basic RAL range available at no extra cost. Variety of optics, lumen outputs and drivers allows to use this luminaire in different types of lighting projects.

Luminous flux & Luminaire Power tolerance up to 10%. System power consumption depends on components used. Luminous efficacy depends on type of LED's, electronics, optics and diffusor. The most up to date technical parameters can be found on our website and in database of LDT files.

Lighting direction:



PDF datasheet:



BULLET NEW

Mounting:	Suspended
Body material:	Steel and aluminium
Colour:	Standard white RAL 9003S, other RAL colours on request
Lumen output:	Standard up to 1500 lm, any other on request
LED module:	Signify (Philips), Tridonic or equivalent COB LED modules
Colour temperature:	2700/3000/4000K, other on request
Colour Rendering:	CRI>80 in standard, other on request
Driver:	EVG on-off/DALI/MC (MasterConnect)/Casambi, other on request
Wireless control:	Philips MasterConnect / Casambi, other on request
Daylight/Occupancy sensor:	Wireless MCS sensor
Emergency unit:	N/A
Operating temperature range:	0°C ... +35°C
IP Class:	IP20 in standard
Power:	220-240V 50/60Hz
Lighting direction:	Direct lighting
Light distribution:	Symmetric
Optics:	Reflector
Beam angle:	15°, 24°, 36°, 54°
Warranty:	5 Years standard warranty

BULLET NEW suspended, light down

All current index numbers, lumen outputs, power consumption and many other technical information are available in our 2024 pricelist. Details on wireless lighting control systems on page number 896.



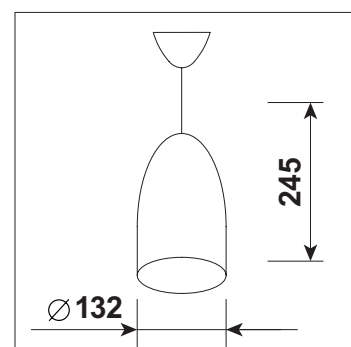
Energy saving MasterConnect wireless lighting control system with daylight and movement detection technology on request.



MCS wireless daylight & occ sensor



XCS wireless switch



Basic dimensions



BULLET NEW

Product code	Product name	Gross Lumen [lm]	Nett Lumen [lm]	Power [W]	Efficacy [lm/W]	Colour temperature [K]	Optics	Diameter [mm]	Height [mm]	Nett Weight [kg]
50.02620.83.E.15	BULLET NEW / 2000 lm / 830 / E / 15	2000	1800	12	150	3000	15°	Ø 132	246	2,2
50.02620.83.E.22	BULLET NEW / 2000 lm / 830 / E / 22	2000	1800	12	150	3000	22°	Ø 132	246	2,2
50.02620.83.E.37	BULLET NEW / 2000 lm / 830 / E / 37	2000	1800	12	150	3000	37°	Ø 132	246	2,2
50.02620.83.E.60	BULLET NEW / 2000 lm / 830 / E / 60	2000	1800	12	150	3000	60°	Ø 132	246	2,2
50.02620.84.E.15	BULLET NEW / 2000 lm / 840 / E / 15	2000	1800	12	150	4000	15°	Ø 132	246	2,2
50.02620.84.E.22	BULLET NEW / 2000 lm / 840 / E / 22	2000	1800	12	150	4000	22°	Ø 132	246	2,2
50.02620.84.E.37	BULLET NEW / 2000 lm / 840 / E / 37	2000	1800	12	150	4000	37°	Ø 132	246	2,2
50.02620.84.E.60	BULLET NEW / 2000 lm / 840 / E / 60	2000	1800	12	150	4000	60°	Ø 132	246	2,2